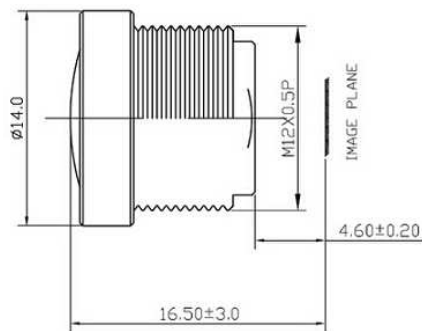


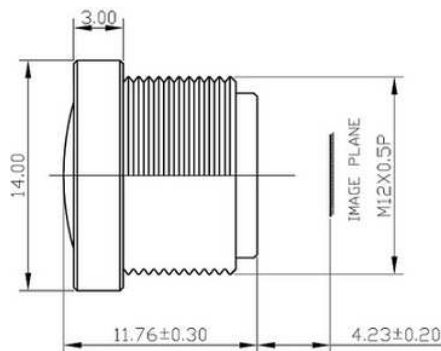
## SA-B Series

■ 0.3MP M12x0.5 Lens

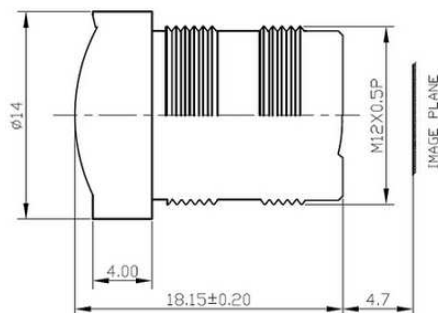
■ Applicable in security monitoring, car dvr, video door bell



Model	SA-01824B
Focal Length	1.8mm
Format	1/4"
F NO.	F2.4
Iris	Fixed
Angle of View(DxHxV)	170°x122°x88°
Distortion	<-28%
M.O.D.	0.2m
Mount	M12x0.5
Resolution	0.3MP
Dimension	φ14mm x 11.9mm

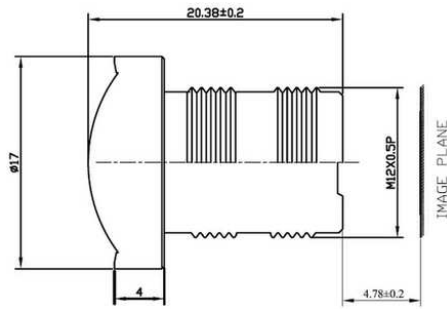


Model	SA-019522B
Focal Length	1.95mm
Format	1/4"
F NO.	F2.2
Iris	Fixed
Angle of View(DxHxV)	156°x120°x85°
Distortion	<-62%
M.O.D.	0.05m
Mount	M12x0.5
Resolution	0.3MP
Dimension	φ14mm x 11.76mm

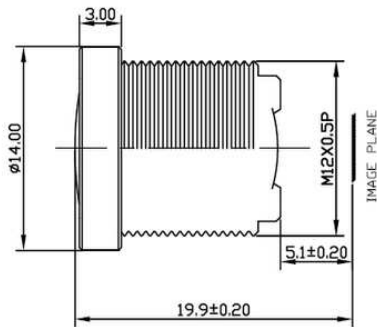


Model	SA-0220B
Focal Length	2.0mm
Format	1/3"
F NO.	F2.0
Iris	Fixed
Angle of View(DxHxV)	151°x122°x91°
Distortion	<-63%
M.O.D.	0.2m
Mount	M12x0.5
Resolution	0.3MP
Dimension	φ14mm x 18.15mm

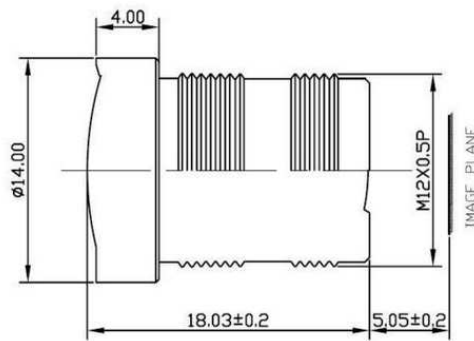
# Board Lens



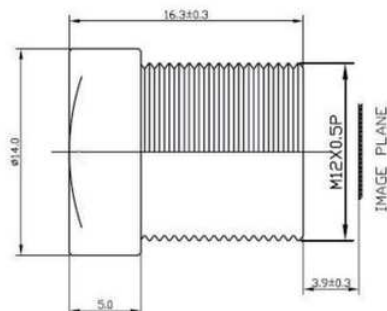
Model	SA-02120B
Focal Length	2.1mm
Format	1/3"
F NO.	F2.0
Iris	Fixed
Angle of View(DxHxV)	151°x126°x96°
Distortion	<-60%
M.O.D.	0.2m
Mount	M12x0.5
Resolution	0.3MP
Dimension	φ17mm x 20.38mm



Model	SA-02220B
Focal Length	2.2mm
Format	1/4"
F NO.	F2.0
Iris	Fixed
Angle of View(DxHxV)	128°x96°x70°
Distortion	<-40%
M.O.D.	0.1m
Mount	M12x0.5
Resolution	0.3MP
Dimension	φ14mm x 14.8mm

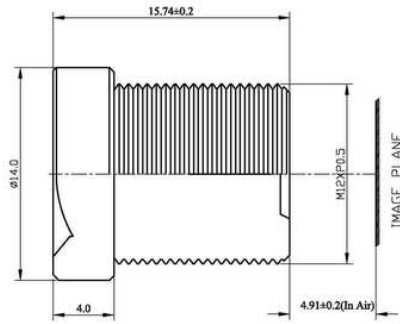


Model	SA-02520B
Focal Length	2.5mm
Format	1/3"
F NO.	F2.0
Iris	Fixed
Angle of View(DxHxV)	140°x111.8°x83°
Distortion	<-53%
M.O.D.	0.2m
Mount	M12x0.5
Resolution	0.3MP
Dimension	φ14mm x 18.03mm

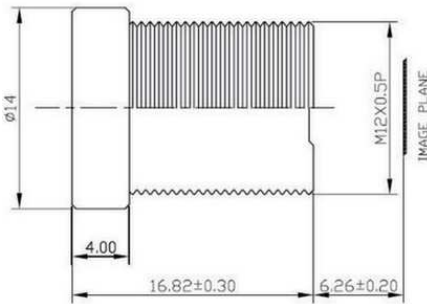


Model	SA-02920B
Focal Length	2.9mm
Format	1/3"
F NO.	F2.0
Iris	Fixed
Angle of View(DxHxV)	140°x110°x70°
Distortion	<-12%
M.O.D.	0.2m
Mount	M12x0.5
Resolution	0.3MP
Dimension	φ14mm x 16.3mm

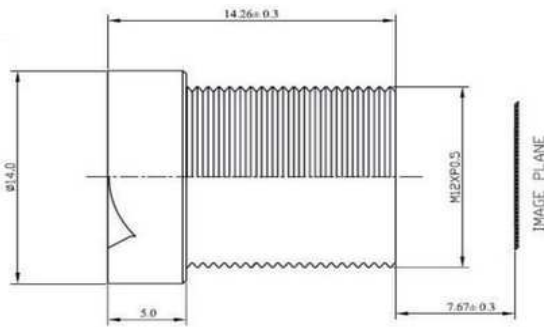
# Board Lens



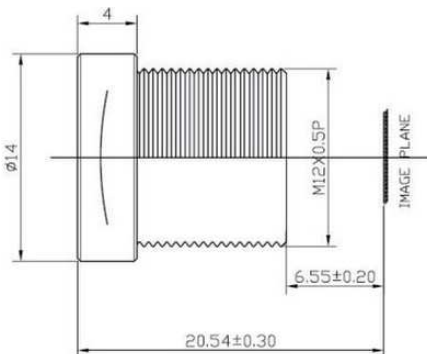
Model	SA-03620B
Focal Length	3.6mm
Format	1/3"
F NO.	F2.0
Iris	Fixed
Angle of View(DxHxV)	100°x78°x57.2°
Distortion	/
M.O.D.	0.05m
Mount	M12x0.5
Resolution	0.3MP
Dimension	φ14mm x 15.74mm



Model	SA-04620B
Focal Length	4.6mm
Format	1/3"
F NO.	F2.0
Iris	Fixed
Angle of View(DxHxV)	80°x62°x46°
Distortion	<-21.6%
M.O.D.	0.2m
Mount	M12x0.5
Resolution	0.3MP
Dimension	φ14mm x 16.82mm

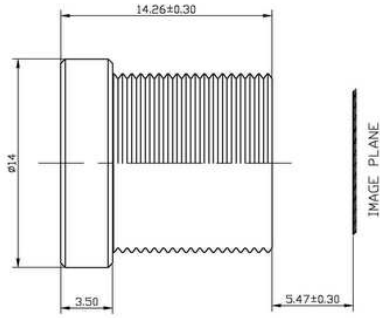


Model	SA-06120B
Focal Length	6.1mm
Format	1/3"
F NO.	F2.0
Iris	Fixed
Angle of View(DxHxV)	62°x44°x33°
Distortion	<-9.6%
M.O.D.	0.2m
Mount	M12x0.5
Resolution	0.3MP
Dimension	φ14mm x 14.26mm

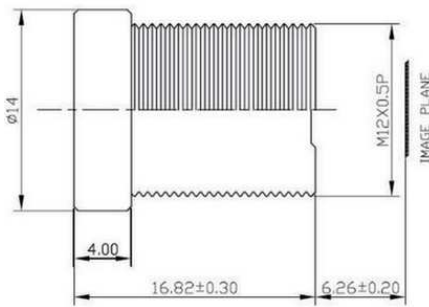


Model	SA-0820B
Focal Length	8mm
Format	1/3"
F NO.	F2.0
Iris	Fixed
Angle of View(DxHxV)	44°x35°x25.5°
Distortion	<-1.6%
M.O.D.	0.2m
Mount	M12x0.5
Resolution	0.3MP
Dimension	φ14mm x 14mm

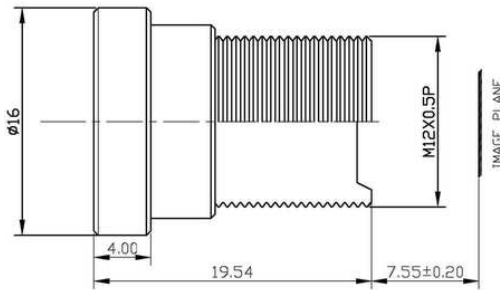
# Board Lens



Model	SA-1225B
Focal Length	12mm
Format	1/3"
F NO.	F2.5
Iris	Fixed
Angle of View(DxHxV)	29°x24°x18°
Distortion	<-0.8%
M.O.D.	0.4m
Mount	M12x0.5
Resolution	0.3MP
Dimension	φ14mm x 14.26mm



Model	SA-1620B
Focal Length	16mm
Format	1/3"
F NO.	F2.0
Iris	Fixed
Angle of View(DxHxV)	21.3°x17.1°x12.8°
Distortion	<0.3%
M.O.D.	0.4m
Mount	M12x0.5
Resolution	0.3MP
Dimension	φ14mm x 15.95mm

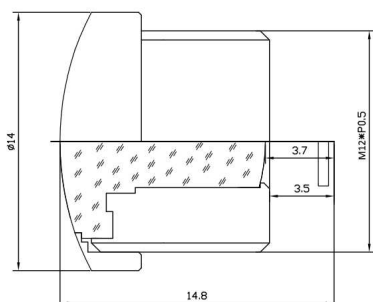


Model	SA-2518B
Focal Length	25mm
Format	1/2"
F NO.	F1.8
Iris	Fixed
Angle of View(DxHxV)	18.5°x14.5°x11°
Distortion	<-2%
M.O.D.	0.2m
Mount	M12x0.5
Resolution	0.3MP
Dimension	φ16mm x 19.54mm

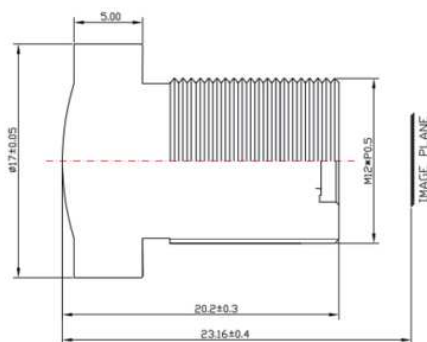
## SA-MB Series

■ 1.3MP-3MP M12x0.5 Lens

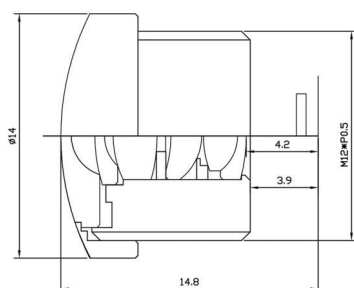
■ Applicable in security monitoring, vehicle image, sport DV, unmanned aerial vehicle shooting



Model	SA-01824MB
Focal Length	1.8mm
Format	1/3"
F NO.	F2.4
Iris	Fixed
Angle of View(DxHxV)	195°x155°x125°
Distortion	/
M.O.D.	0.2m
Mount	M12x0.5
Resolution	3MP
Dimension	$\phi 14\text{mm} \times 11\text{mm}$

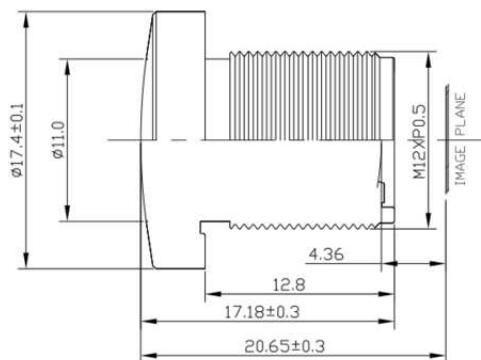


Model	SA-02120MB
Focal Length	2.1mm
Format	1/4"
F NO.	F2.0
Iris	Fixed
Angle of View(DxHxV)	133°x110°x65°
Distortion	/
M.O.D.	0.2m
Mount	M12x0.5
Resolution	2MP
Dimension	$\phi 17\text{mm} \times 20\text{mm}$

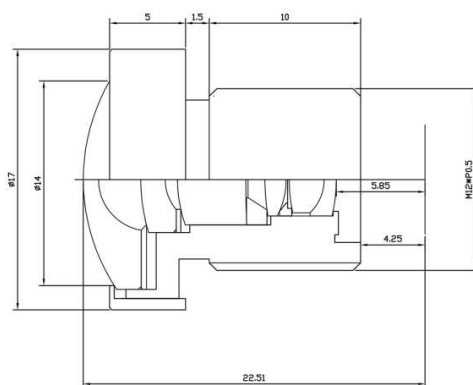


Model	SA-02325MB
Focal Length	2.3mm
Format	1/2.7"
F NO.	F2.5
Iris	Fixed
Angle of View(DxHxV)	200°x158°x105°
Distortion	/
M.O.D.	0.2m
Mount	M12x0.5
Resolution	3MP
Dimension	$\phi 14\text{mm} \times 10.8\text{mm}$

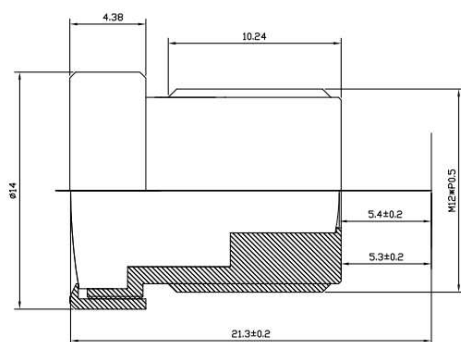
# Board Lens



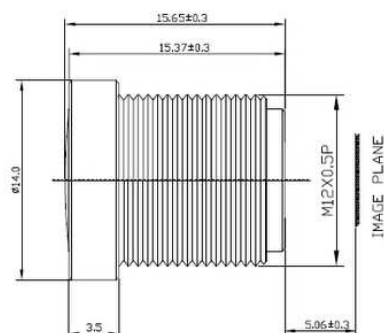
Model	SA-024520MB
Focal Length	2.45mm
Format	1/3.2"
F NO.	F2.0
Iris	Fixed
Angle of View(DxHxV)	153°x112°x80°
Distortion	/
M.O.D.	0.3m
Mount	M12x0.5
Resolution	3MP
Dimension	φ17.4mm x 17.18mm



Model	SA-02520MB
Focal Length	2.5mm
Format	1/2.5"
F NO.	F2.0
Iris	Fixed
Angle of View(DxHxV)	170°x130°x95°
Distortion	/
M.O.D.	0.1m
Mount	M12x0.5
Resolution	3MP
Dimension	φ17mm x 18mm

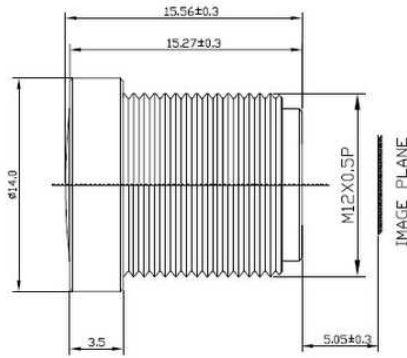


Model	SA-02820MB
Focal Length	2.8mm
Format	1/2.7"
F NO.	F2.0
Iris	Fixed
Angle of View(DxHxV)	152°x126°x86°
Distortion	/
M.O.D.	0.2m
Mount	M12x0.5
Resolution	3MP
Dimension	φ14mm x 16mm

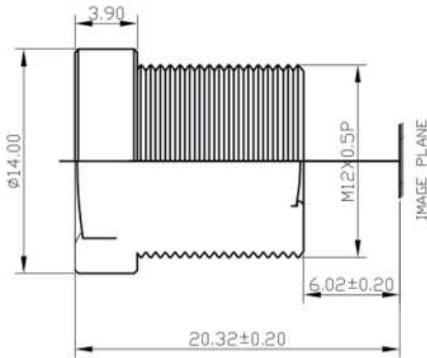


Model	SA-029226MB
Focal Length	2.92mm
Format	1/2.7"
F NO.	F2.6
Iris	Fixed
Angle of View(DxHxV)	162°x126°x63°
Distortion	<-62.5%
M.O.D.	0.2m
Mount	M12x0.5
Resolution	3MP
Dimension	φ14mm x 15.65mm

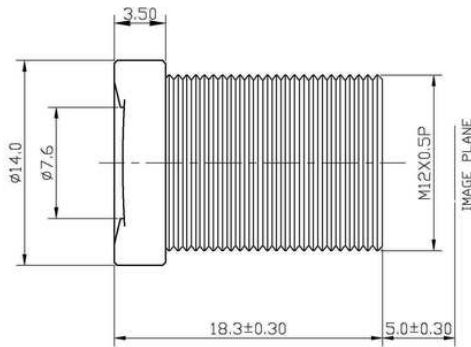
# Board Lens



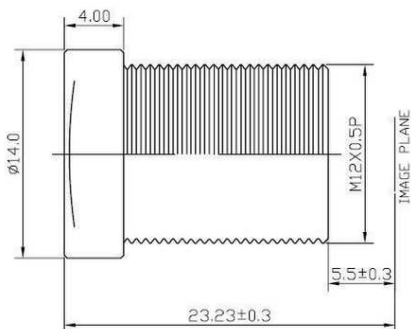
Model	SA-0324MB
Focal Length	3.0mm
Format	1/2.7"
F NO.	F2.4
Iris	Fixed
Angle of View(DxHxV)	172°x130°x64°
Distortion	<-63.2%
M.O.D.	0.2m
Mount	M12x0.5
Resolution	2MP
Dimension	φ14mm x 15.56mm



Model	SA-03320MB
Focal Length	3.3mm
Format	1/3"
F NO.	F2.0
Iris	Fixed
Angle of View(DxHxV)	120°x90°x65°
Distortion	<-42%
M.O.D.	0.2m
Mount	M12x0.5
Resolution	2MP
Dimension	φ14mm x 14.3mm

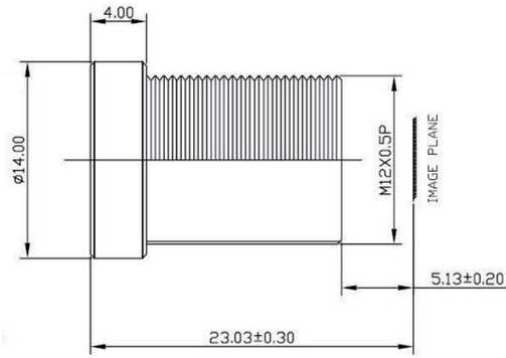


Model	SA-03617MB
Focal Length	3.6mm
Format	1/4"
F NO.	F1.7
Iris	Fixed
Angle of View(DxHxV)	64.6°x50.8°x37.7°
Distortion	<16%
M.O.D.	0.2m
Mount	M12x0.5
Resolution	3MP
Dimension	φ14mm x 18.3mm

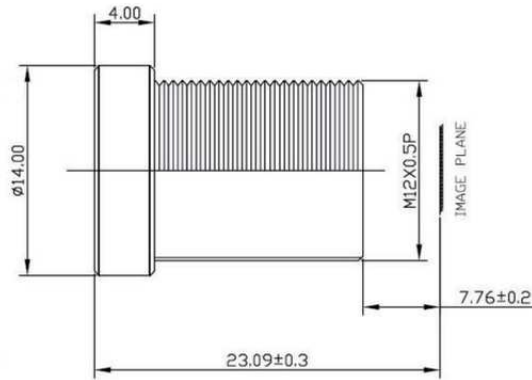


Model	SA-03620MB
Focal Length	3.6mm
Format	1/3"
F NO.	F2.0
Iris	Fixed
Angle of View(DxHxV)	102°x80°x58°
Distortion	<16.5%
M.O.D.	0.2m
Mount	M12x0.5
Resolution	1.3MP
Dimension	φ14mm x 17.73mm

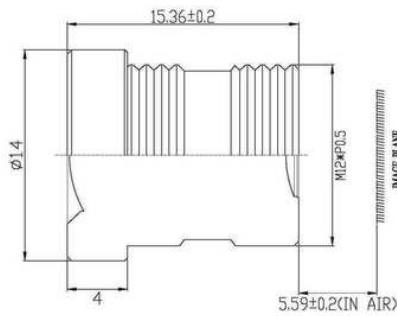
# Board Lens



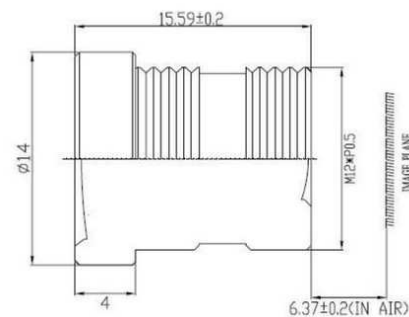
Model	SA-04620MB
Focal Length	4.6mm
Format	1/3"
F NO.	F2.0
Iris	Fixed
Angle of View(DxHxV)	80°x62°x46°
Distortion	<-22%
M.O.D.	0.2m
Mount	M12x0.5
Resolution	1.3MP
Dimension	φ14mm x 17.9mm



Model	SA-0620MB
Focal Length	6mm
Format	1/3"
F NO.	F2.0
Iris	Fixed
Angle of View(DxHxV)	58.4°x46.2°x34.5°
Distortion	<-8.6%
M.O.D.	0.2m
Mount	M12x0.5
Resolution	1.3MP
Dimension	φ14mm x 15.33mm



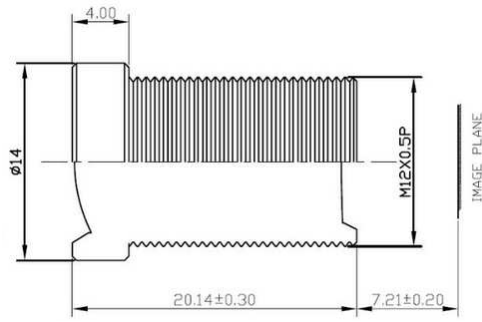
Model	SA-1216MB
Focal Length	12mm
Format	1/3"
F NO.	F1.6
Iris	Fixed
Angle of View(DxHxV)	29°x23.5°x17.2°
Distortion	<-2.5%
M.O.D.	0.2m
Mount	M12x0.5
Resolution	2MP
Dimension	φ14mm x 15.36mm



Model	SA-1616MB
Focal Length	16mm
Format	1/3"
F NO.	F1.6
Iris	Fixed
Angle of View(DxHxV)	20.2°x16.5°x12.5°
Distortion	<3.2%
M.O.D.	0.3m
Mount	M12x0.5
Resolution	2MP
Dimension	φ14mm x 15.59mm



# Board Lens

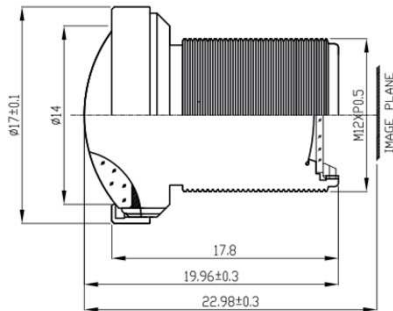


Model	SA-2520MB
Focal Length	25mm
Format	1/2"
F NO.	F2.0
Iris	Fixed
Angle of View(DxHxV)	16.4°x13.1°x9.8°
Distortion	<-2%
M.O.D.	0.2m
Mount	M12x0.5
Resolution	3MP
Dimension	$\phi 14\text{mm} \times 20.14\text{mm}$

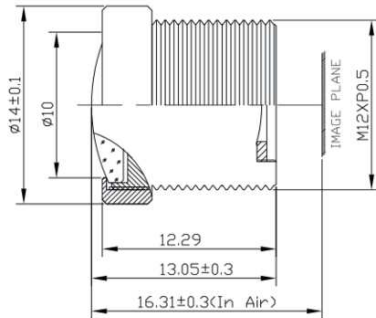
## SA-HB Series

■ 5MP M12x0.5 Lens

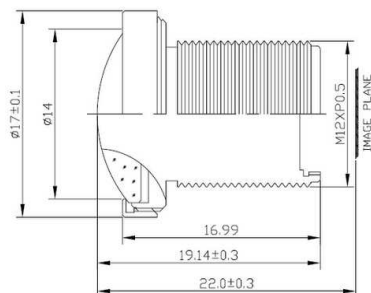
- Applicable in security monitoring, vehicle image, sport DV, unmanned aerial vehicle shooting, machine vision system



Model	SA-023524HB
Focal Length	2.35mm
Format	1/2.5"
F NO.	F2.4
Iris	Fixed
Angle of View(DxHxV)	172°x138°x105°
Distortion	/
M.O.D.	0.1m
Mount	M12x0.5
Resolution	5MP
Dimension	$\phi 17\text{mm} \times 19.96\text{mm}$

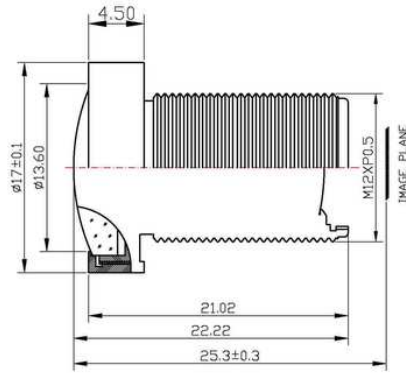


Model	SA-024524HB
Focal Length	2.45mm
Format	1/2.7"
F NO.	F2.4
Iris	Fixed
Angle of View(DxHxV)	176°x147°x78°
Distortion	/
M.O.D.	0.1m
Mount	M12x0.5
Resolution	5MP
Dimension	$\phi 14\text{mm} \times 13\text{mm}$

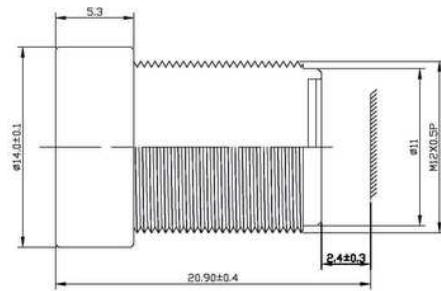


Model	SA-02524HB
Focal Length	2.5mm
Format	1/2.5"
F NO.	F2.4
Iris	Fixed
Angle of View(DxHxV)	166°x132°x98.8°
Distortion	<-83%
M.O.D.	0.1m
Mount	M12x0.5
Resolution	5MP
Dimension	$\phi 17\text{mm} \times 19.14\text{mm}$

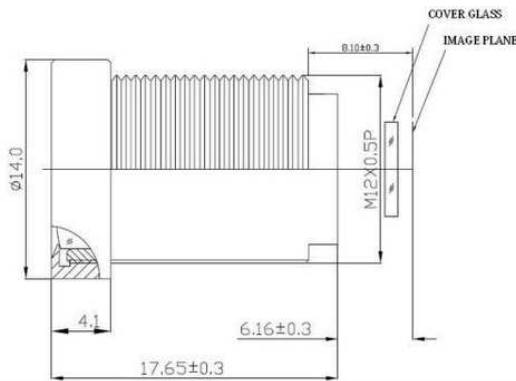
# Board Lens



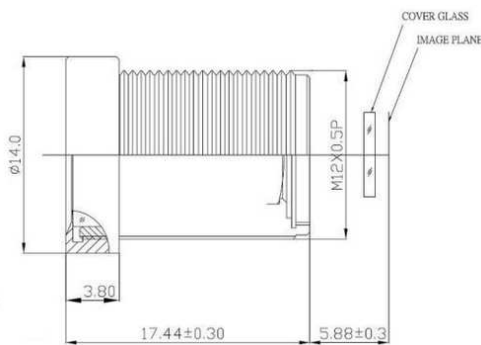
Model	SA-02918HB
Focal Length	2.9mm
Format	1/2.5"
F NO.	F1.8
Iris	Fixed
Angle of View(DxHxV)	152°x117.5°x86.5°
Distortion	/
M.O.D.	0.1m
Mount	M12x0.5
Resolution	5MP
Dimension	φ17mm x 22.22mm



Model	SA-029740HB
Focal Length	2.97mm
Format	1/2.5"
F NO.	F4.0
Iris	Fixed
Angle of View(DxHxV)	100°x87.2°x71.2°
Distortion	<1%
M.O.D.	0.2m
Mount	M12x0.5
Resolution	5MP
Dimension	φ14mm x 18.5mm

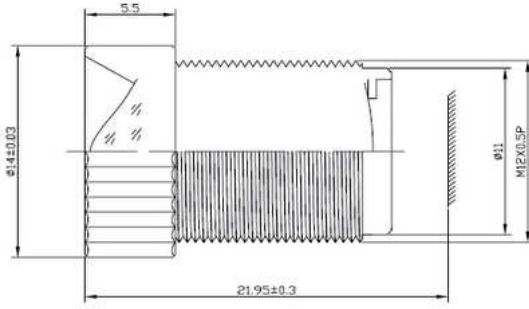


Model	SA-03618HB
Focal Length	3.6mm
Format	1/2.5"
F NO.	F1.8
Iris	Fixed
Angle of View(DxHxV)	110°x86.4°x65.4°
Distortion	<2%
M.O.D.	0.2m
Mount	M12x0.5
Resolution	5MP
Dimension	φ14mm x 17.65mm

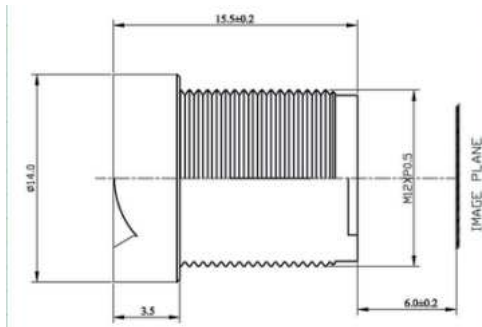


Model	SA-0418HB
Focal Length	4.0mm
Format	1/2.5"
F NO.	F1.8
Iris	Fixed
Angle of View(DxHxV)	112°x86°x63°
Distortion	/
M.O.D.	0.2m
Mount	M12x0.5
Resolution	5MP
Dimension	φ14mm x 17.44mm

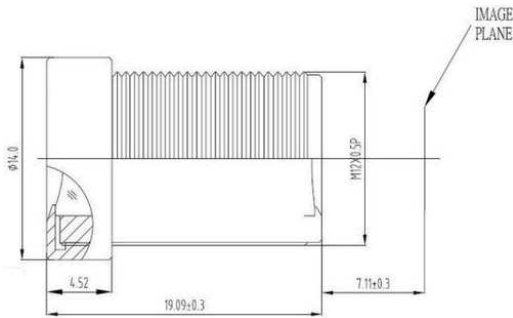
# Board Lens



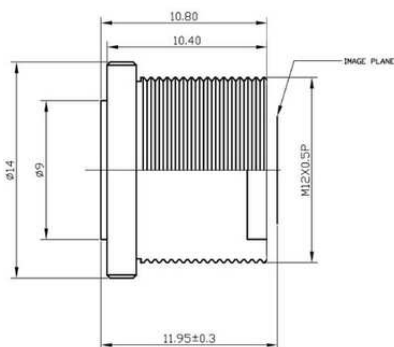
Model	SA-041430HB
Focal Length	4.14mm
Format	1/2.5"
F NO.	F3.0
Iris	Fixed
Angle of View(DxHxV)	81.1°x68.8°x54.4°
Distortion	<0.2%
M.O.D.	0.2m
Mount	M12x0.5
Resolution	5MP
Dimension	φ14mm x 17.85mm



Model	SA-0618HB
Focal Length	6mm
Format	1/3"
F NO.	F1.8
Iris	Fixed
Angle of View(DxHxV)	8.6°x48.8°x32.3°
Distortion	<-11.6%
M.O.D.	0.2m
Mount	M12x0.5
Resolution	5MP
Dimension	φ14mm x 15.5mm

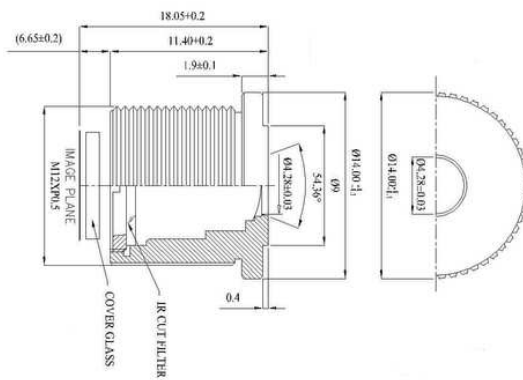


Model	SA-0818HB
Focal Length	8mm
Format	1/2.5"
F NO.	F1.8
Iris	Fixed
Angle of View(DxHxV)	52.1°x41.4°x30.8°
Distortion	<-7%
M.O.D.	0.2m
Mount	M12x0.5
Resolution	5MP
Dimension	φ14mm x 19.09mm



Model	SA-084230HB
Focal Length	8.42mm
Format	1/1.8"
F NO.	F3.0
Iris	Fixed
Angle of View(DxHxV)	56.5°x47.9°x33.1°
Distortion	<-1.15%
M.O.D.	0.2m
Mount	M12x0.5
Resolution	5MP
Dimension	φ14mm x 10.8mm

# Board Lens

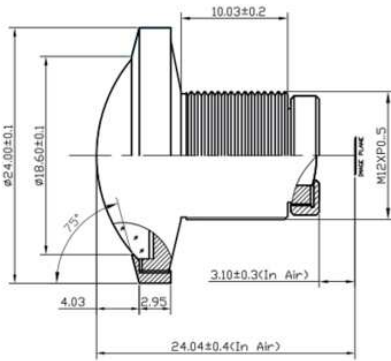


Model	SA-1228HB
Focal Length	12mm
Format	1/1.8"
F NO.	F2.8
Iris	Fixed
Angle of View(DxHxV)	41.2°x34.6°x23.5°
Distortion	<-1.75%
M.O.D.	0.1m
Mount	M12x0.5
Resolution	5MP
Dimension	φ14mm x 11.4mm

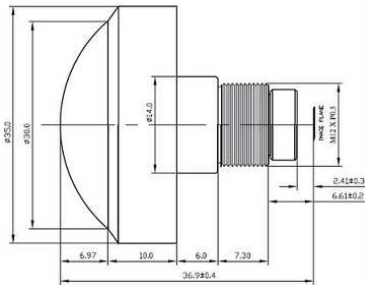
## SA-FEB Series

■ Fisheye Lens

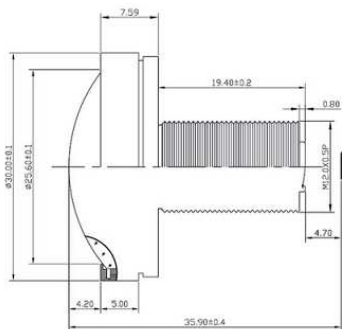
- Applicable in 360 degree panoramic shooting sites, such as security monitoring, vehicle image, sport DV, unmanned aerial vehicle shooting



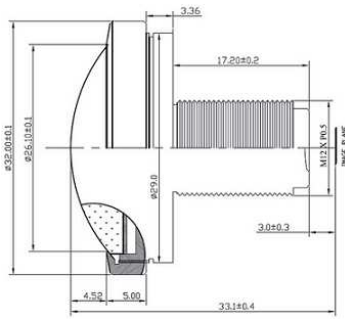
Model	SA-09620FEB
Focal Length	0.96mm
Format	1/2.7"
F NO.	F2.0
Iris	Fixed
Angle of View(DxHxV)	210°x210°x205°
Distortion	/
M.O.D.	0.1m
Mount	M12x0.5
Resolution	5MP
Dimension	φ24mm x 20.8mm



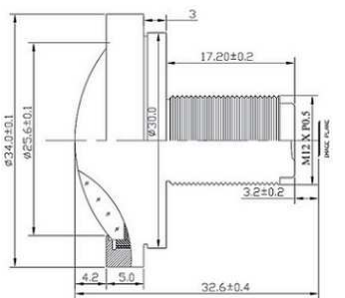
Model	SA-010528FEB
Focal Length	1.05mm
Format	1/2.3"
F NO.	F2.8
Iris	Fixed
Angle of View(DxHxV)	245°x245°x245°
Distortion	/
M.O.D.	0.2m
Mount	M12x0.5
Resolution	10MP
Dimension	φ35mm x 34.5mm



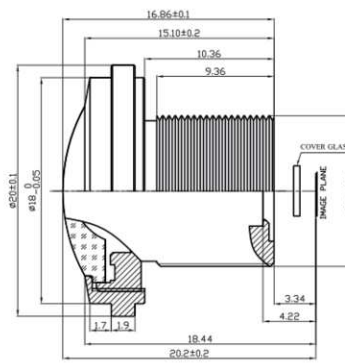
Model	SA-010820FEB
Focal Length	1.08mm
Format	1/3"
F NO.	F2.0
Iris	Fixed
Angle of View(DxHxV)	185°x185°x185°
Distortion	/
M.O.D.	0.1m
Mount	M12x0.5
Resolution	5MP
Dimension	φ30mm x 31mm



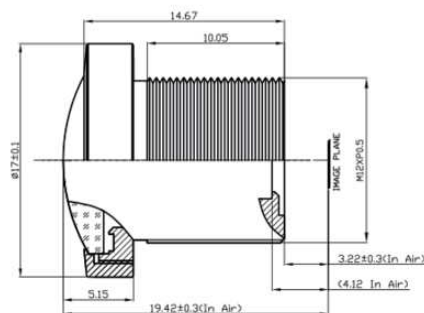
Model	SA-01320FEB
Focal Length	1.3mm
Format	1/2.3"
F NO.	F2.0
Iris	Fixed
Angle of View(DxHxV)	195°x195°x195°
Distortion	/
M.O.D.	0.1m
Mount	M12x0.5
Resolution	9MP
Dimension	φ32mm x 30.1mm



Model	SA-014122FEB
Focal Length	1.41mm
Format	1/2.3"
F NO.	F2.2
Iris	Fixed
Angle of View(DxHxV)	183°x183°x183°
Distortion	/
M.O.D.	0.1m
Mount	M12x0.5
Resolution	9MP
Dimension	φ34mm x 29.4mm



Model	SA-01720FEB
Focal Length	1.7mm
Format	1/3"
F NO.	F2.0
Iris	Fixed
Angle of View(DxHxV)	195°x195°x128°
Distortion	/
M.O.D.	0.1m
Mount	M12x0.5
Resolution	5MP
Dimension	φ20mm x 16.8mm



Model	SA-01822FEB
Focal Length	1.8mm
Format	1/2.7"
F NO.	F2.2
Iris	Fixed
Angle of View(DxHxV)	190°x190°x115°
Distortion	/
M.O.D.	0.1m
Mount	M12x0.5
Resolution	5MP
Dimension	φ17mm x 16.2mm